



Safety Instructions



0, 1, 4, 6, 7, 8, 11, 15,
16, 17, 19, 22, 25



Info Hotline

+49 (0) 5041 998 389

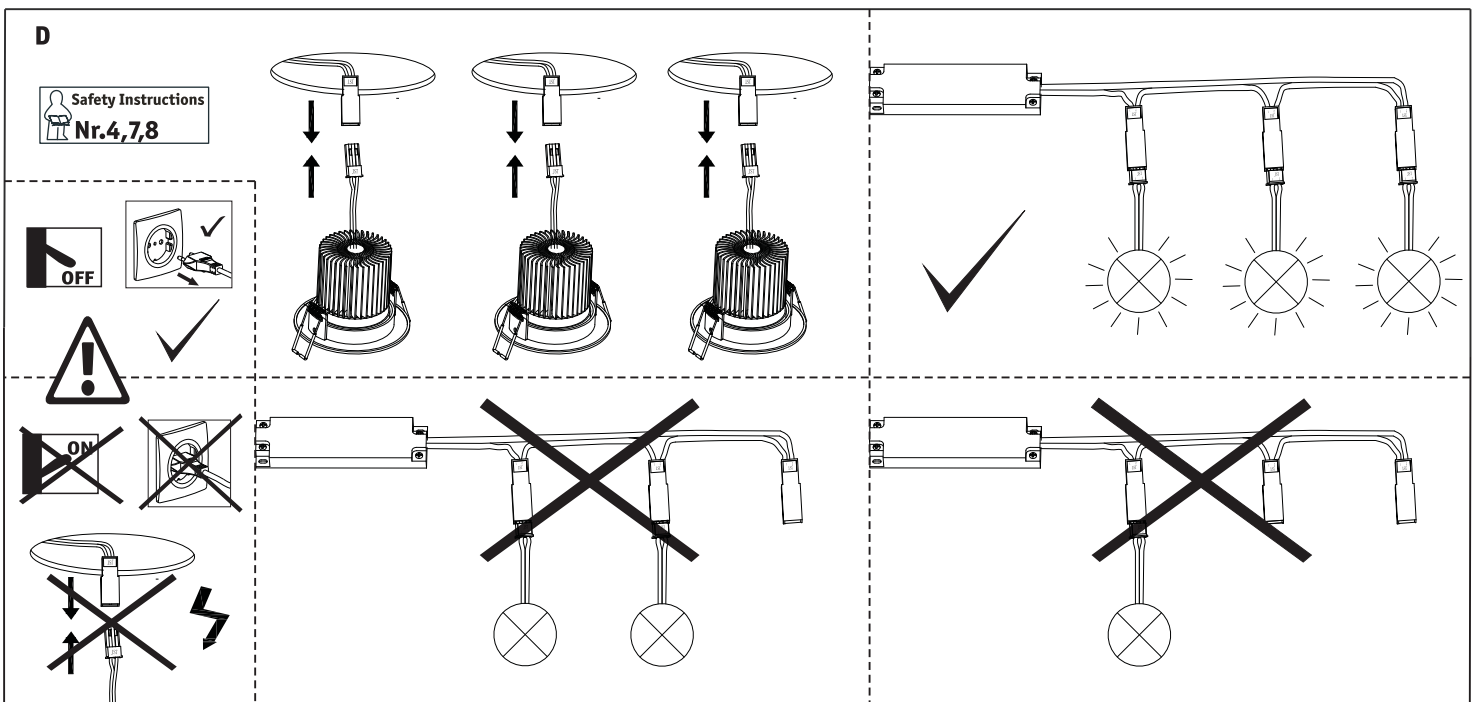
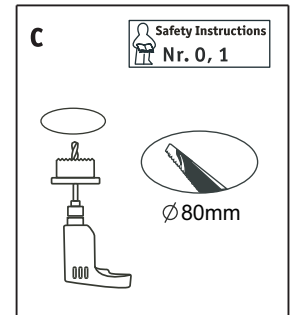
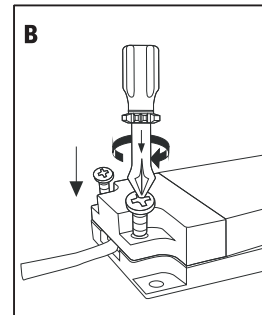
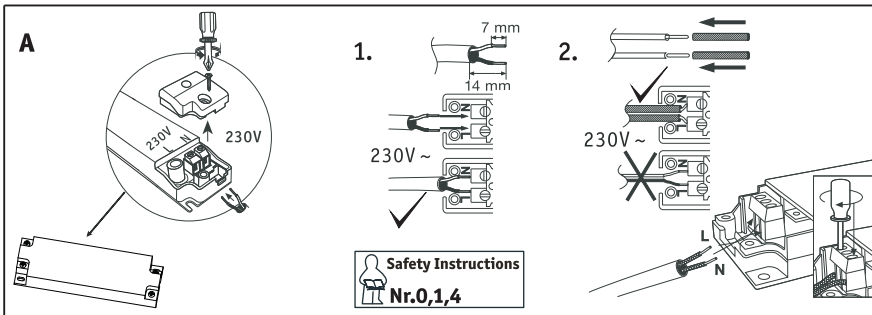
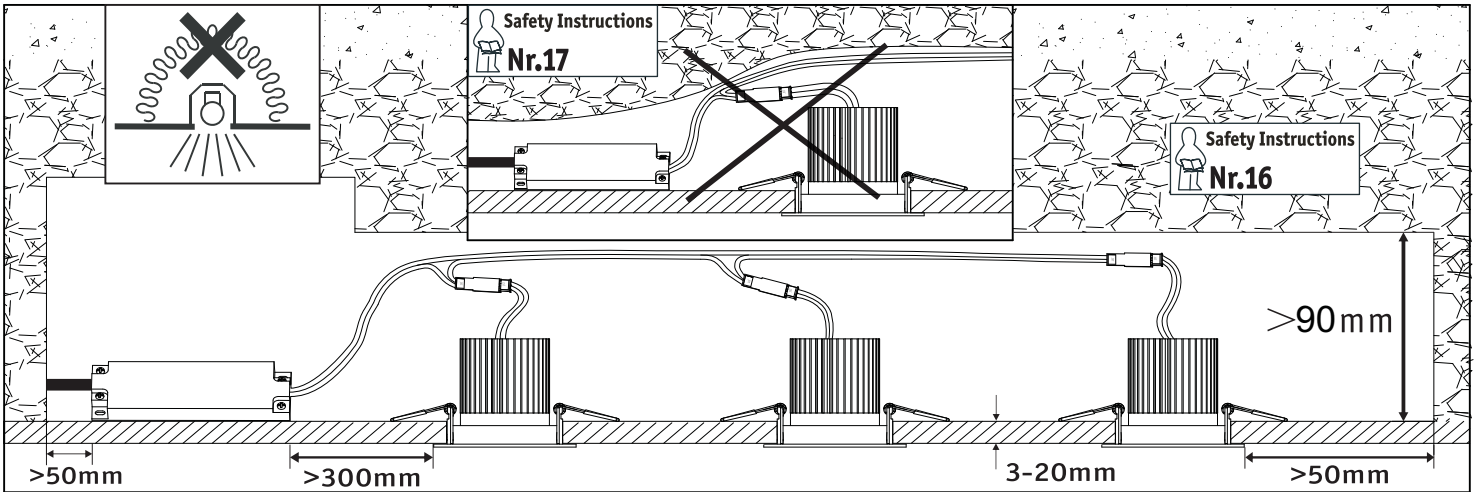
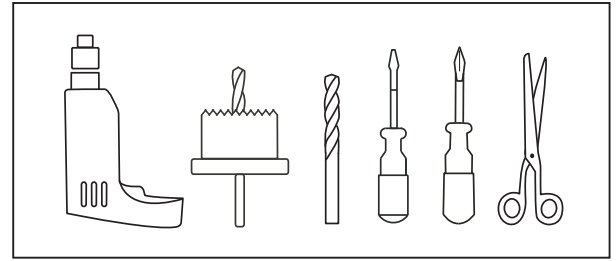
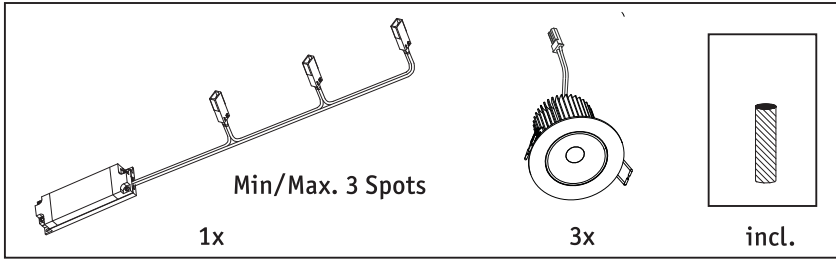
Mon. - Do. 7⁰⁰ - 20⁰⁰

Fr. 7⁰⁰ - 17⁰⁰

Paulmann Licht GmbH
31832 Springe / Germany
www.paulmann.com

Art.-Nr.:
926.87

(+MA 173)
PEV 05/13



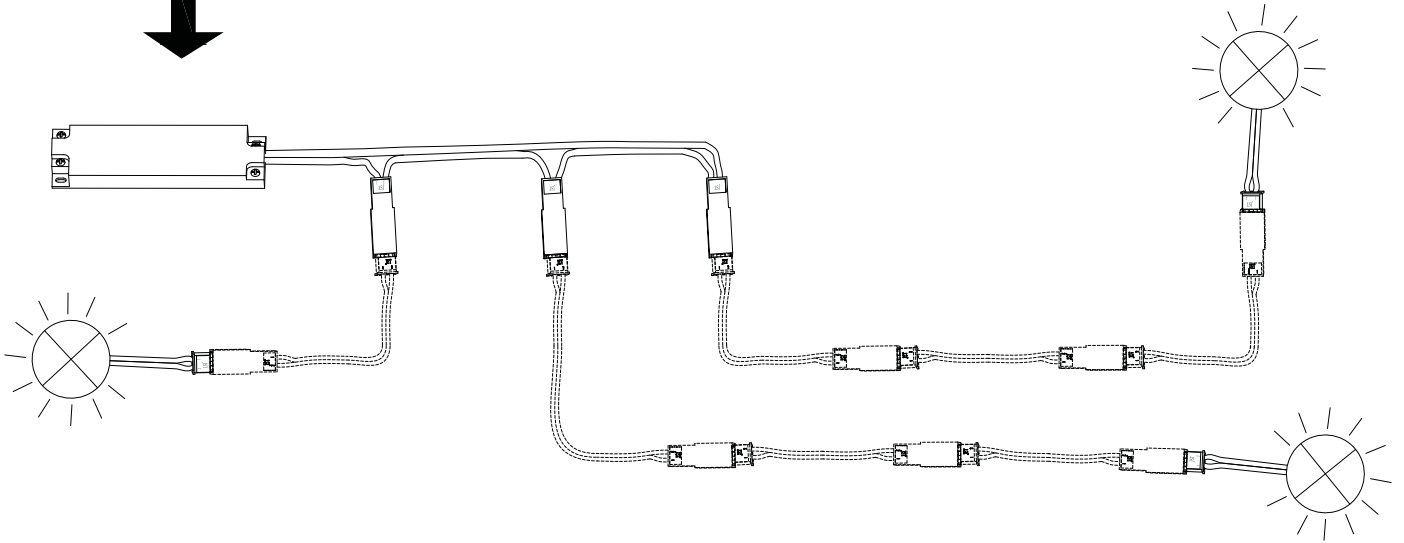
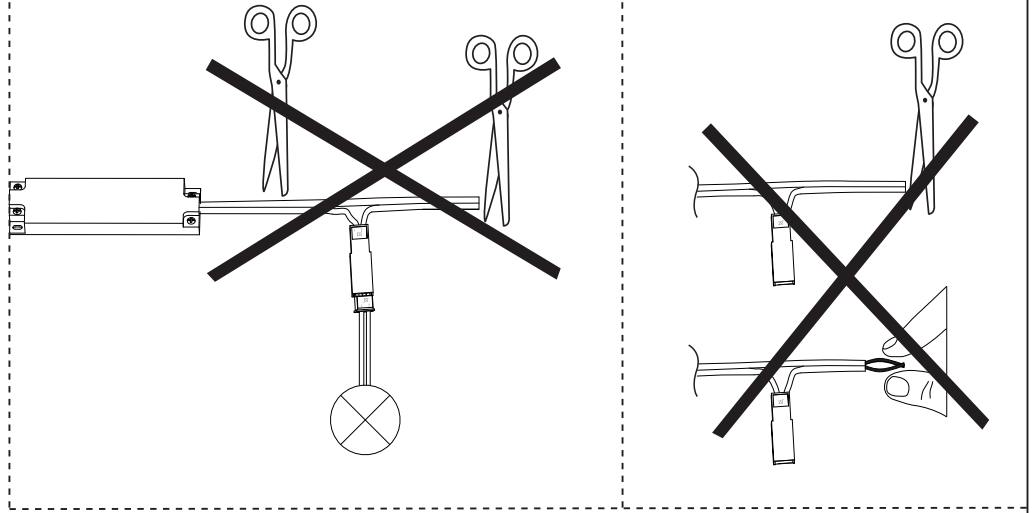
E



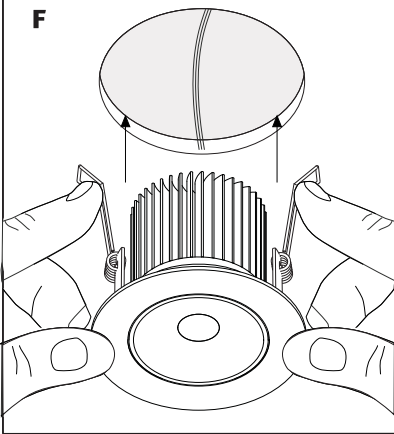
1 m



Paulmann
Art.-Nr. 233



F



G

